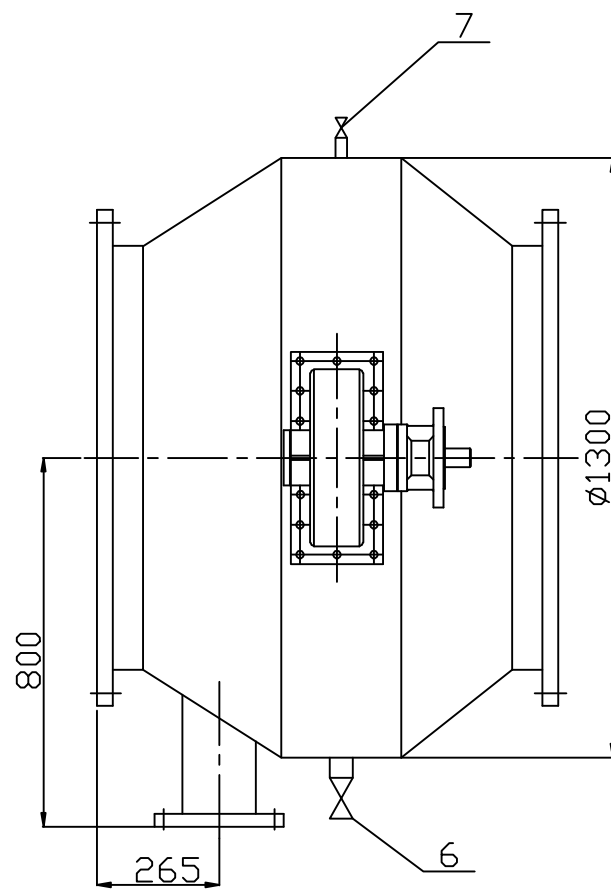
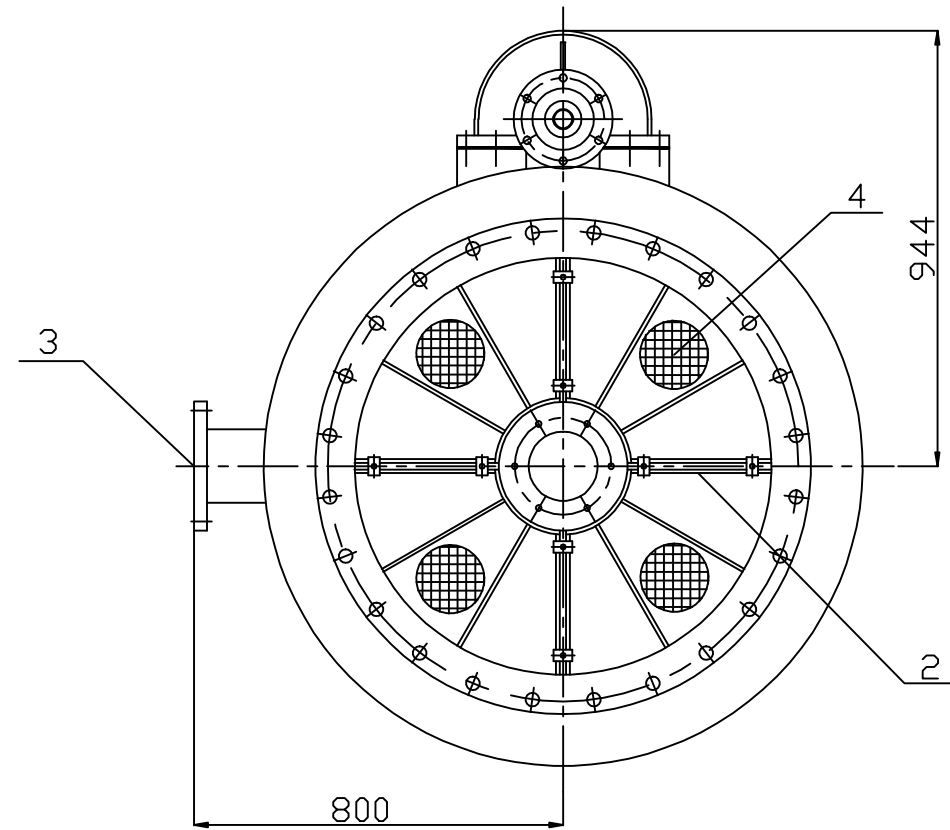
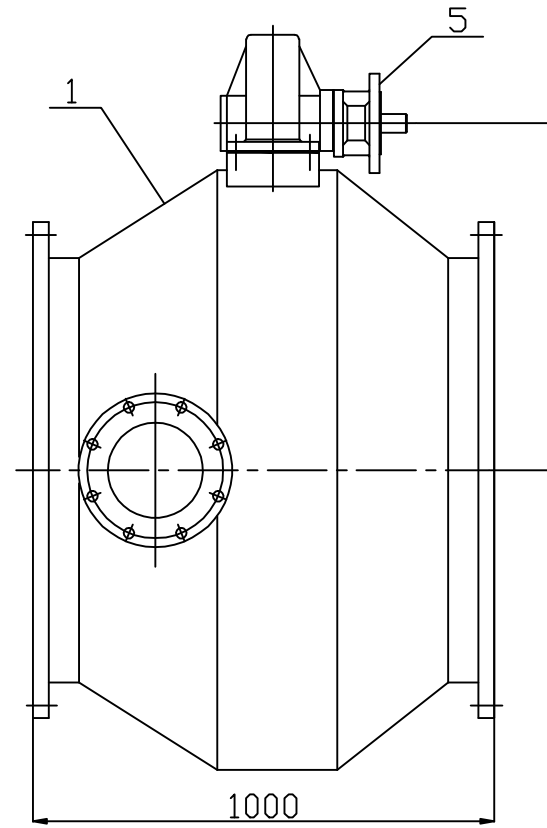


DF-900



Technical Parameter

Work Pressure	<0.5MPa	Work Media	Seawater
Design Pressure	0.6MPa	Weld Joint Factor	0.85
Work Temp.	Normal Temp.	Water Test Pressure	0.9MPa
Design Temp.	Normal Temp.	Filter Precision	10*10mm
Net Weight	2200kg	Weight with Water	4100kg

Interface Table

SN	Name	Normal Diameter	Normal Pressure	connection by
a	Water inlet	DN900	0.6MPa	Flange
b	Water outlet	DN900	0.6MPa	Flange
c	Sewage Outlet	DN150	LB150	Flange
d	Water Drainage	DN50	LB150	Flange
e	Air vent outlet	DN20	LB150	Thread

SN	CODE	NAME	QTY
7	DF900-07	Air vent outlet DN20	1
6	DF900-06	Water drain pipe DN50	1
5	DF900-05	Drive device	1
4	DF900-04	Filter elements	12
3	DF900-03	Drain components	1
2	DF900-02	Pin elements	1
1	DF900-01	Shell body components	1

SN	CODE	NAME	QTY
Debris Filter Outline Drawing			
DF-900			
设计	审核	制图	重量
校对	审批	日期	比例
工艺	审核	共	页

BEIJING CEP GREEN WAVE COMPANY